

# Galápagos

## Case Example ODA

Hans Gierts  
IT Manager

Tom Kenis  
Oracle DBA

Taste the new flavours of the ODA  
1 March 2018





# About Galápagos

- Who are we
  - Clinical-stage biotech company
  - Robust portfolio focused on development and commercialization of novel medicines
  - 550 employees in 4 countries
- Our history
  - Founded in 1999
  - 2005 Euronext
  - 2015 US Nasdaq

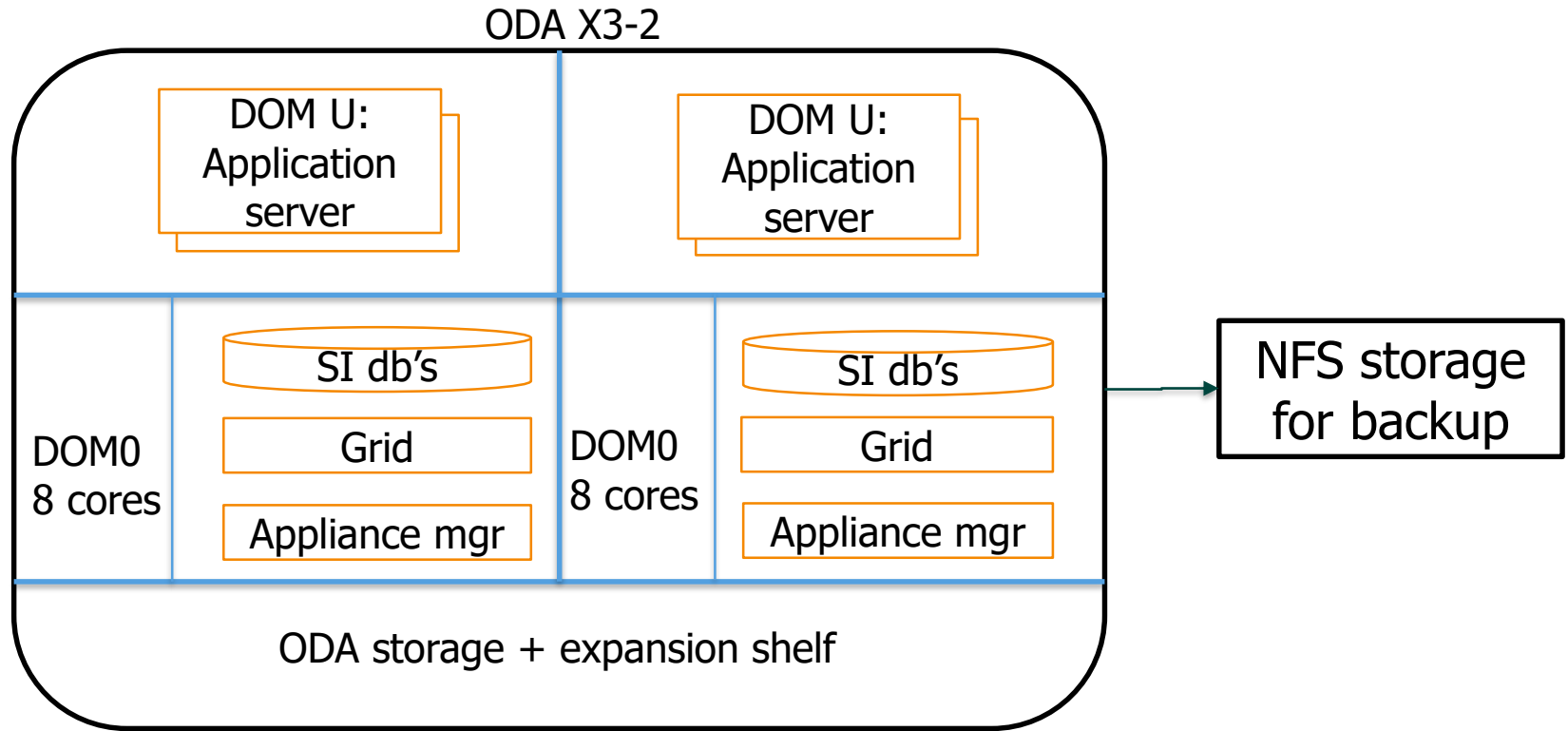


# Oracle @ Galápagos

- 1999 First db on 4D
  - In house created application
- 2001 Sun oracle servers
- 2006 Move to Intell Servers
- 2010 Migration to new Intell Servers
- 2014 1st ODA
  - Partnership with Exitas



# Database architecture @ Galápagos





# ODA benefits @ Galápagos

- Critical databases on high redundant hardware
  - 1 disk failure and 1 power supply failure, no downtime
- Virtualization & biochemical applications:
  - Use all hardware resources to combine DB & application servers
- Reduced maintenance
  - 4 health checks/year
- All-in-one box for Oracle
  - Easy Oracle licensing

# Galápagos

[glpg.com](http://glpg.com)

